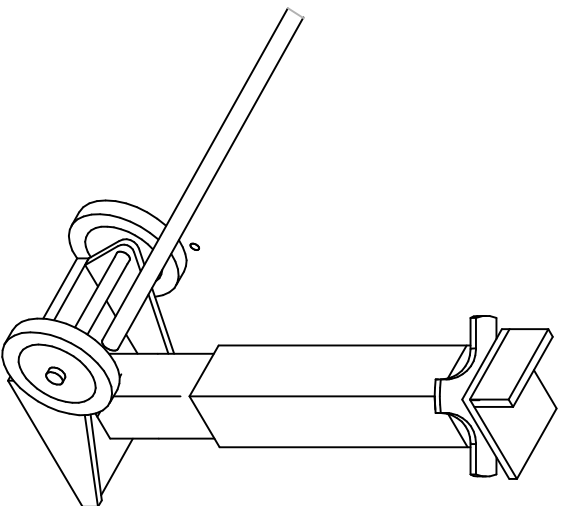


Support SR0005

Use and installation manual

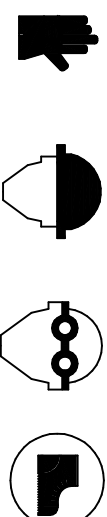


REAR SUPPORT FOR SEMITRAILER SR0005

SR0005 is designed to support the semitrailer on the rear part during the load- and unload operation by fork-lift.

According to safety regulations, prevent the kipping of semitrailer.

Before starting any operation with SR0005, read carefully this manual and use individual protection devices (workshoes, gloves, glasses and helmet).



Only authorized people can operate/use SR0005.

Remember to observe all safety steps regarding the semitrailer.

Maintenance and control operation have to be done only by repair shops.

When SR0005 is in use/maintenance non-authorized people have to be kept on distance.

It is forbidden any other use which is not written on this manual.

FERMI does not feel responsible for mishaps, breaking, accidents when the indications, here written, have not been applied.

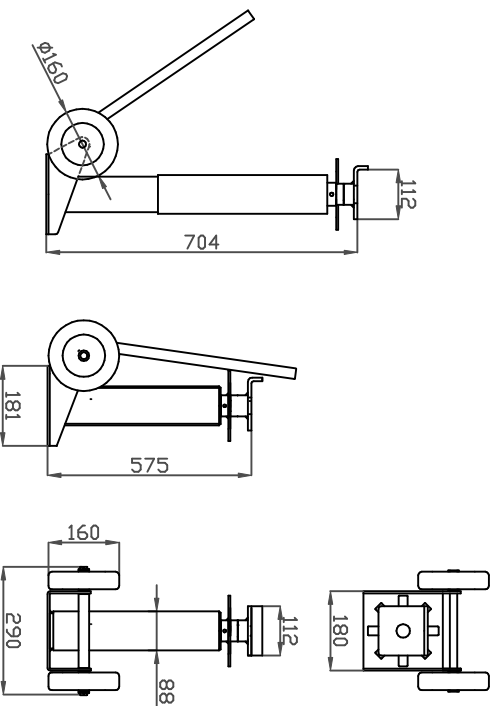
This instruction manual has always to be easily at hand to the driver/operator at all times and has to be read before using SR0005.

Before using SR0005 make sure that:

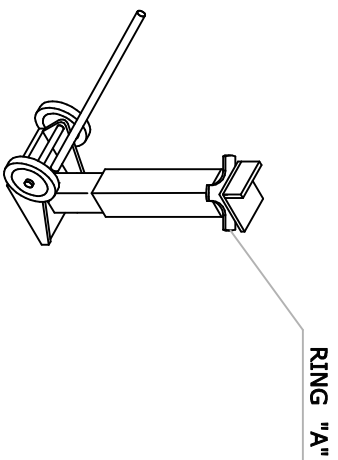
- The landing legs of semitrailer are in good conditions
- The ground where you operate is a firm and level surface
- The load on semitrailer is stable
- SR0005 is perpendicular to support surface of semitrailer
- During loading and unloading operation SR0005 does not go through direct or indirect shocks, wich could damage it.

Danger Zone

As danger zone it means all the whole area next the semitrailer, only the operator can work in this area. During the coupling and the uncoupling manoeuvres of the semitrailer, nobody has to be on the semitrailer or below it.

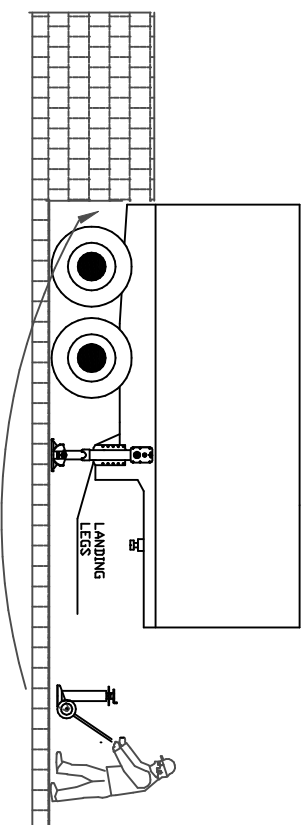


Static load : kg 15.000
Weight : kg 30



USE OF SR0005

Before going on with any operation, make sure that the semitrailer is stationary and braked.
By parking the semitrailer follows the instruction regarding the use of landing legs.
LANDING LEGS HAVE ALWAYS TO BE INSTALLED AND NOT DAMAGED



- Put SR0005 on lower stroke position and insert it under the semitrailer. Avoid to put it under muddguards, tool boxes or other.
SR0005 MUST BE PUTTED UNDER THE SPARS/LONGERONS OF CHASSIS.
- Turn the RING A anticlockwises until SR0005 touches the chassis.
- To remove SR0005, turn the RING A clockwises.

MAINTENANCE

At the time of construction, the Fermi support SR0005 is greased and oiled enough. If the parts are working and they have not broken, no other maintenance is needed.

GUARANTEE

SR0005 has a 2 year guarantee wich falls into decline:
If SR0005 has not been used as it is written on this manual
If SR0005 has been tampered or modified