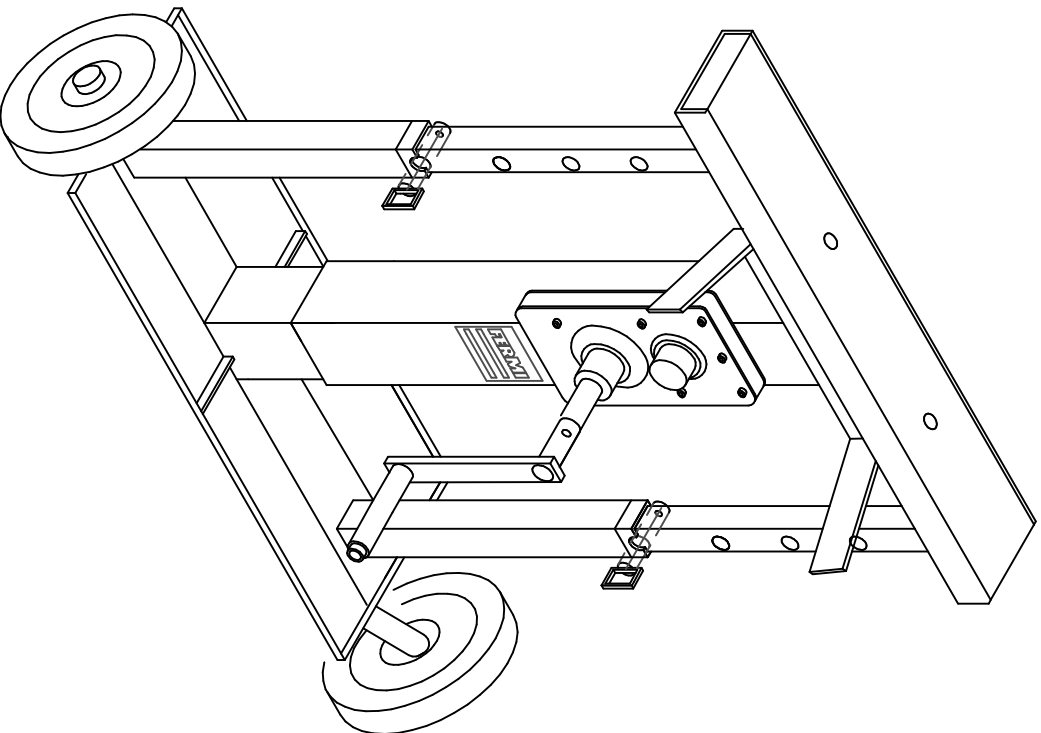


## Support SR0002 PLUS

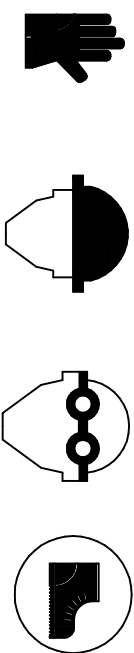
### Use and installation manual



## SUPPORT FOR SEMITRAILERS SR0002 PLUS

SR0002 is designed to support the semitrailer during the load- and unload operation by fork-lift, when the semitrailer is not coupled to tractor unit, and if you are not sure landing legs on semitrailers are in good conditions.

According to safety regulations, prevent the kipping of uncoupled semitrailer. Before starting any operation with SR0002, read carefully this manual and use individual protection devices (workshoes, gloves, glasses and helmet).



Only authorized people can operate/use SR0002.

Remember to observe all safety steps regarding the semitrailer. Maintenance and control operation have to be done only by repair shops. When SR0002 is in use/maintenance non-authorized people have to be kept on distance.

It is forbidden any other use which is not written on this manual. FERMI does not feel responsible for mishaps, breaking, accidents when the indications, here written, have not been applied. This instruction manual has always to be easily at hand to the driver/operator at all times and has to be read before using SR0002.

Before using SR0002 make sure that:

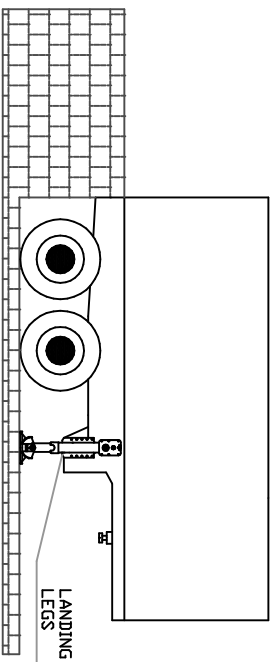
- The ground where you operate is a firm and level surface
- The load on semitrailer is stable
- SR0002 is perpendicular to support surface of semitrailer
- During loading and unloading operation SR0002 does not go through direct or indirect shocks, wich could damage it.

### **Danger Zone**

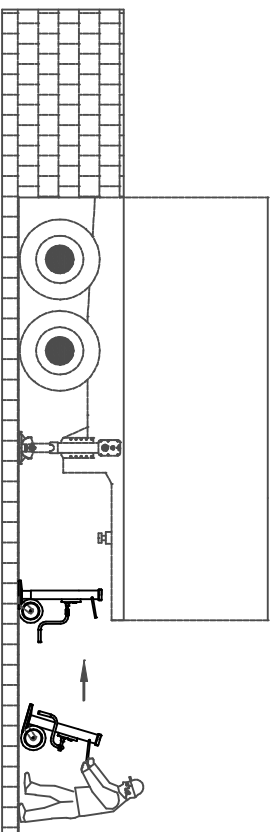
***As danger zone it means all the whole area next the semitrailer, only the operator can work in this area. During the coupling and the uncoupling manoeuvres of the semitrailer, nobody has to be on the semitrailer or below it.***

**USE OF SUPPORT SR0002 PLUS**

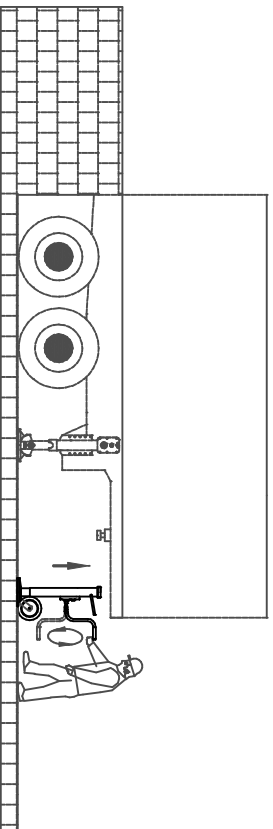
Before going on with any operation, make sure that the semitrailer is stationary and braked, following the instruction regarding the use of landing legs. **LANDING LEGS HAVE ALWAYS TO BE INSTALLED**



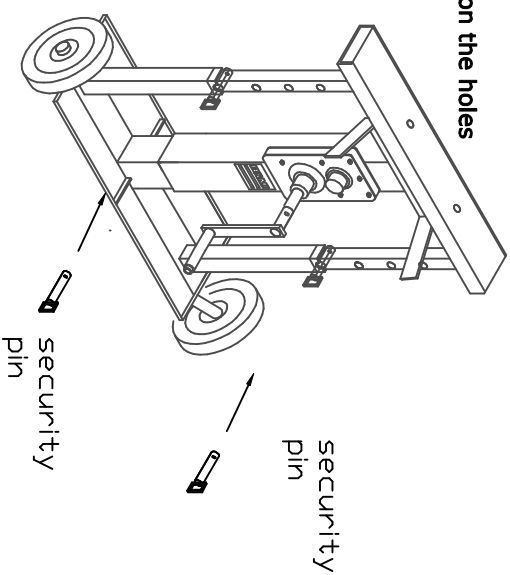
By turning the crank-handle put SR0002 on lower position and insert SR0002 as indicated on picture below. Pay attention of position of the King-pin.



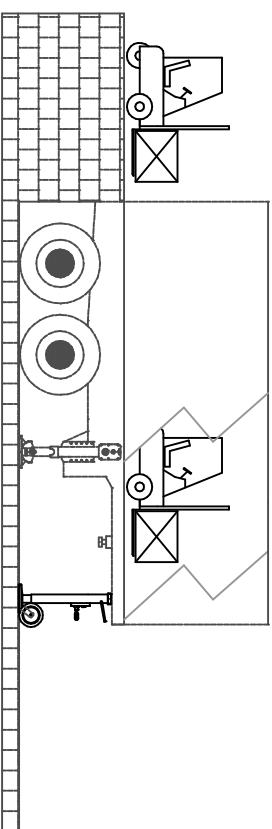
By turning the crank-handle lift SR0002 until it touches the plate of semitrailer.



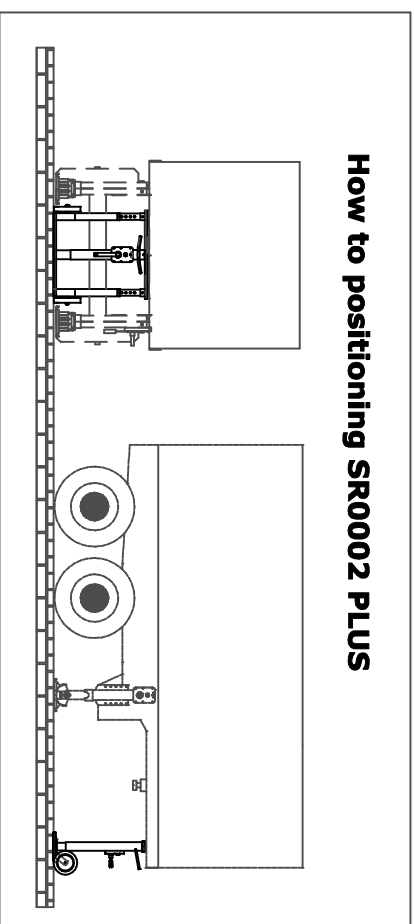
Finally insert the pins on the holes (see picture)



Attention: SR0002 PLUS is a complementary support. Semitrailer has to be parked by using the landing legs.



**How to positioning SR0002 PLUS**



**SR0002 PLUS**

|                                    |  |
|------------------------------------|--|
| STATIC LOAD                        | 30 t   |
| WEIGHT                             | 115 kg   |
| GEARS                              | n.r. 2 speeds, fast clutch of low gear and high gear without middle position |
| <b>CRANK FORCE OF HANDLE</b>       |  |
| up to 12 t lifting capacity        | 16 kg  |
| up to 16 t lifting capacity        | 22 kg  |
| up to 20 t lifting capacity        | 28 kg  |
| <b>LIFT PER ONE TURN OF HANDLE</b> |  |
| low gear                           | 1 mm turn handle   |
| high gear                          | 11 mm turn handle  |

**HOW TO INSERT HIGH AND LOW GEAR**

The support SR0002 has 2 gears:

**LOW GEAR:** SR0002 can be lifted/lowered of 1mm per each turn of crank handle. To engage the low gear you have to turn a little the crank handle (fig.2) and, at the same time, you have to push the crank handle (fig.1) just to the clutch.

**HIGH GEAR:** SR0002 can be lifted/lowered of 11 mm per each turn of crank handle. To engage the high gear you have to turn a little the crank handle (fig.2) and, at the same time, you have to pull the crank handle (fig.1) just to the clutch.

fig.1

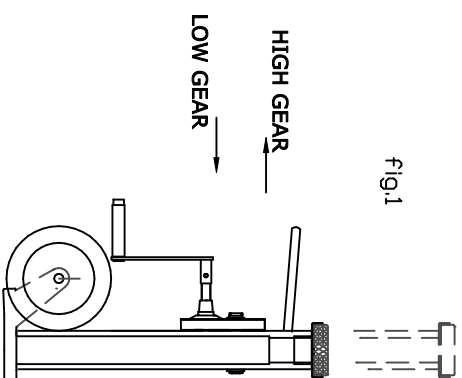
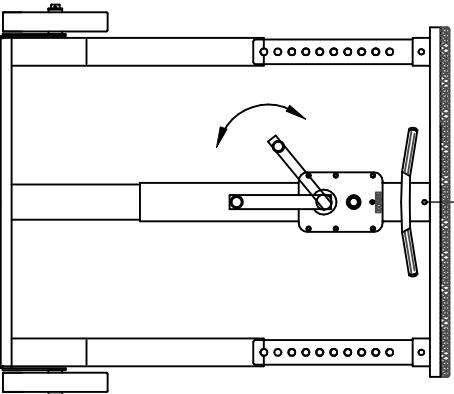


fig.2



**GUARANTEE**

SR0002 has a 2 year guarantee which falls into decline:  
If SR0002 has not been used as it is written on this manual  
If SR0002 has been tampered or modified

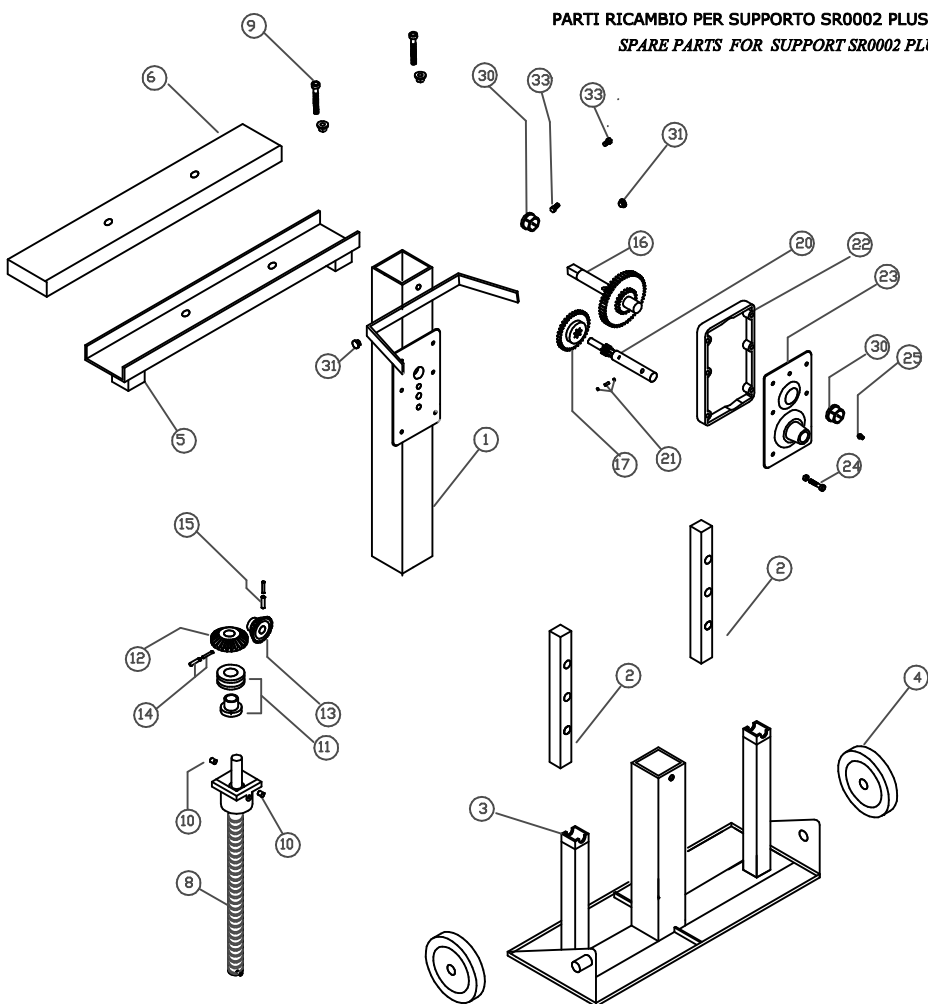
**MAINTENANCE**

At the time of construction, the Fermi support SR0002 PLUS is greased and oiled enough. However, it is possible to make further greasing through the provided nipples. It is recommendable to do this operation every 6/8 months. For a better greasing of the spindle (through the greasing nipples situated on the sides of the support's body) lower completely the spindle and, while greasing it, lift it slowly up again.

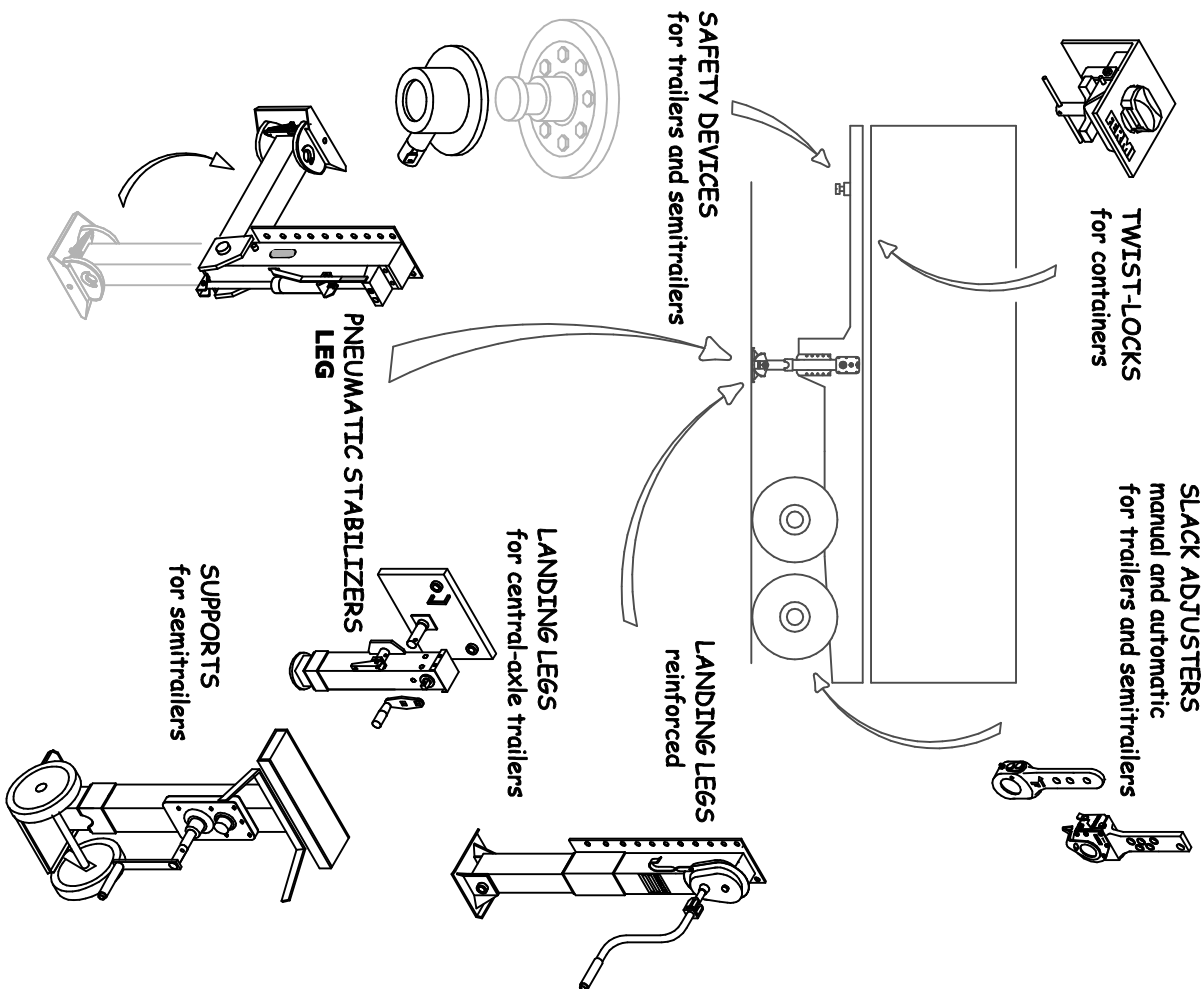
It is advisable to use a grease with a EP 2-siloungishness degree. Remember also to check periodically all the parts subject to wear, such as the nylon bushes, the gears and in particular the spindle and the female thread.

All this if the support SR0002 is used on normal working conditions. In case the support SR0002 is used in heavy conditions, these inspections have to be more frequent.

**PARTI RICAMBIO PER SUPPORTO SR0002 PLUS**  
**SPARE PARTS FOR SUPPORT SR0002 PLUS**



| PS | DENOMINAZIONE<br>DESCRIPTION          | CODICE<br>PART.NO |
|----|---------------------------------------|-------------------|
| 1  | CORPO ESTERNO HOUSING                 | HC3016            |
| 2  | PROLUNGA SOSTEGNO EXTENTION           | HC3026            |
| 3  | GAMBO INTERNO MOBILE SUPPORTING TUBE  | HC3025            |
| 4  | RUOTA WHEEL                           | HC3019            |
| 5  | COPERCHIO COVER                       | HC3028            |
| 6  | SUPPORTO IN LEGNO WOOD-SUPPORT        | HC3027            |
| 8  | ASTA FILETTATA SPINDEL                | HC3022            |
| 9  | VITE BOLT                             | HC3023            |
| 10 | SPINA ACCIAIO STEEL PIN               | HS0208            |
| 11 | GUSCINETTO REGGISPINTA BALL BEARING   | HS0196            |
| 12 | INGR. CONICO GRANDE BEVEL GEAR        | HS0194            |
| 13 | INGR. CONICO PICCOLO PINION BEVEL     | HS0195            |
| 14 | SPINA ELASTICA ROLL PIN               | HS0231            |
| 15 | SPINA ELASTICA ROLL PIN               | HS0213            |
| 16 | RUOTA DENTATA GRANDE LARGE GEAR       | HA0028            |
| 17 | INGRANAGGIO GEAR                      | HA0048            |
| 20 | ALBERO TRASMISSIONE GEAR DRIVE PINION | HA0029            |
| 21 | MOLLA + SFERE PRES.SPRING + BEARINGS  | HS0214            |
| 22 | DISTANZIALE NYLON NYLON SPACER        | HA0049            |
| 23 | COPERCHIO RIDUTTORE GEAR BOX COVER    | HA0054            |
| 24 | BULLONE+DADO BOLT                     | HA0064            |
| 25 | INGRASSATORE GREASE NIPPLE            | HA0066            |
| 27 | MANOVELLA CRANK HANDLE                | HC3024            |
| 30 | BOCCOLA NYLON NYLON BUSH              | HS0181            |
| 31 | TAPPO CHIUSURA CAP                    | HS0188            |
| 33 | BULLONE COPERCHIO BOLT                | HS0210            |



**FERMI SRL**  
Via Postumia 33/A - 31100 Treviso (ITALY)  
Tel. +39(0)422-361033 Fax +39(0)422-361461  
www.fermitreviso.com Info@fermitreviso.com