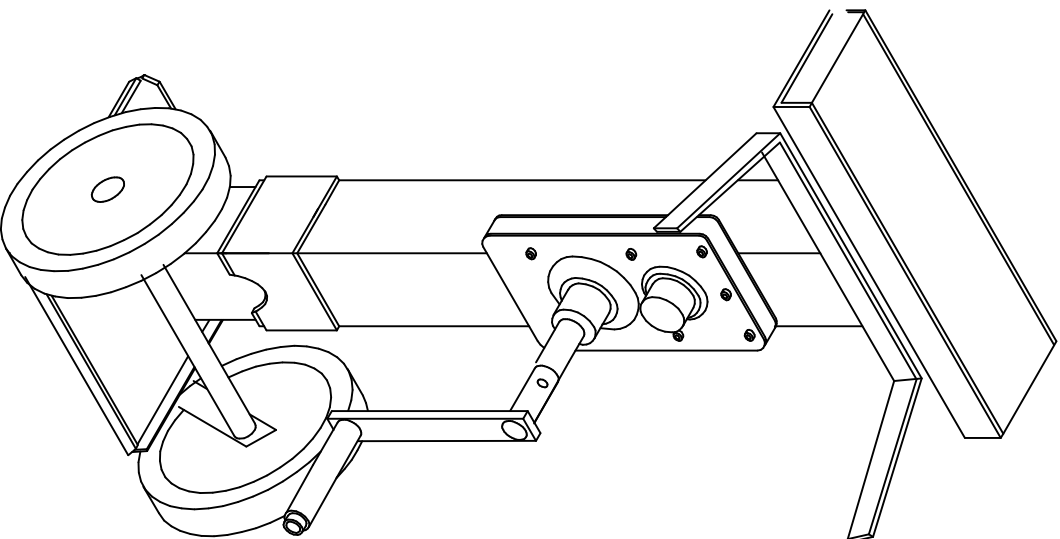


## **SUPPORT FOR SEMITRAILER SR0001**

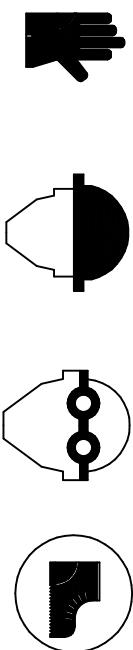
### **Support SR0001**

#### **Use and installation manual**



SR0001 is designed to support the semitrailer during the load- and unload operation by fork-lift, when the semitrailer is not coupled to tractor unit.

According to safety regulations, prevent the kipping of uncoupled semitrailer. Before starting any operation with SR0001, read carefully this manual and use individual protection devices (workshoes, gloves, glasses and helmet).



Only authorized people can operate/use SR0001.

Remember to observe all safety steps regarding the semitrailer. Maintenance and control operation have to be done only by repair shops. When SR0001 is in use/maintenance non-authorized people have to be kept on distance.

It is forbidden any other use which is not written on this manual. FERMI does not feel responsible for mishaps, breaking, accidents when the indications, here written, have not been applied.

This instruction manual has always to be easily at hand to the driver/operator at all times and has to be read before using SR0001.

Before using SR0001 make sure that:

- The ground where you operate is a firm and level surface
- The load on semitrailer is stable
- SR0001 is perpendicular to support surface of semitrailer
- During loading and unloading operation SR0001 does not go through direct or indirect shocks, wich could damage it.

**Danger Zone**

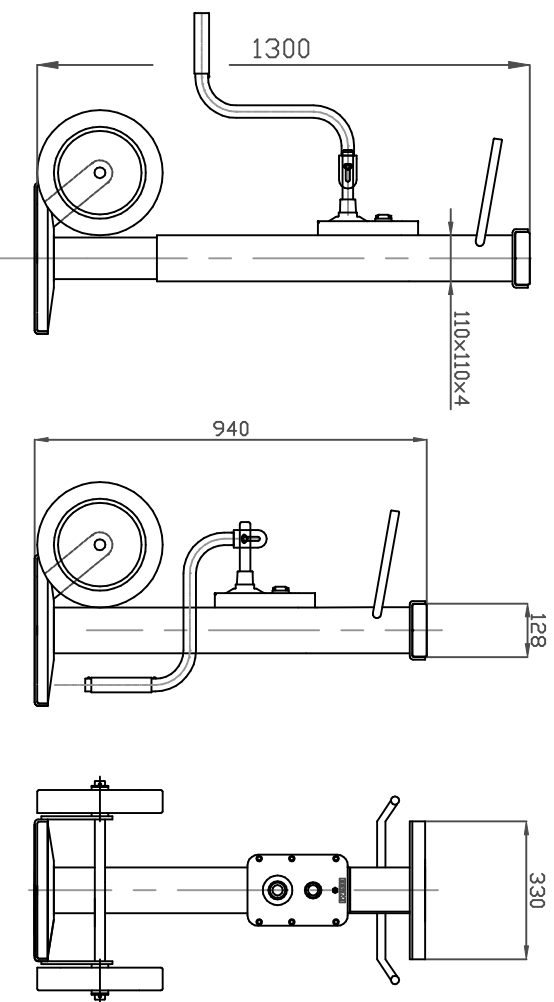
*As danger zone it means all the whole area next the semitrailer, only the operator can work in this area. During the coupling and the uncoupling manoeuvres of the semitrailer, nobody has to be on the semitrailer or below it.*

It is forbidden to use SR0001 to cause damages to own and other people's health.  
Use SR0001 only for application written on this manual.

**GUARANTEE**

SR0001 has a 2 year guarantee wich falls into decline:  
If SR0001 has not been used as it is written on this manual  
If SR0001 has been tampered or modified

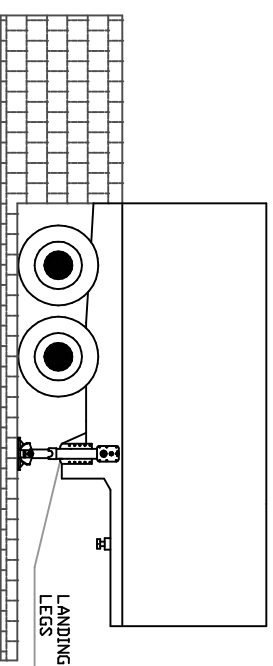
**SR0001**



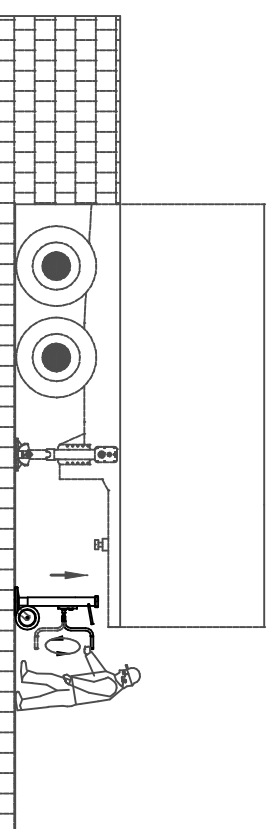
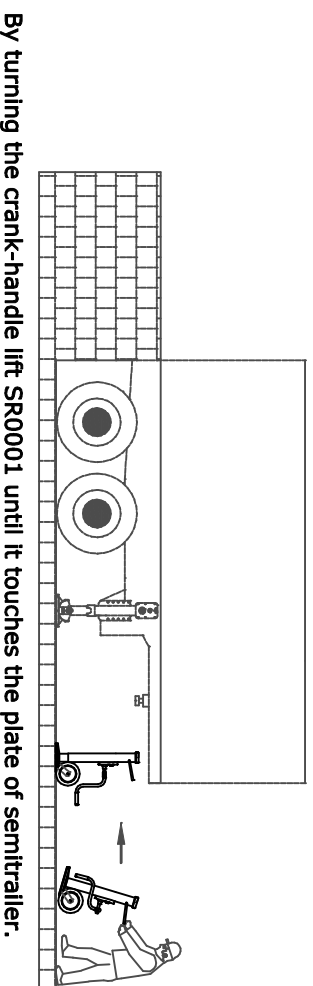
**USE of SR0001**

Before going on with any operation, make sure that the semitrailer is stationary and braked.

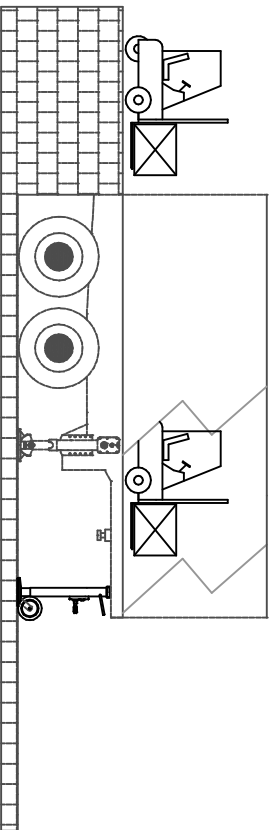
By parking the semitrailer follows the instruction regarding the use of landing legs. **LANDING LEGS HAVE ALWAYS TO BE INSTALLED AND NOT DAMAGED**



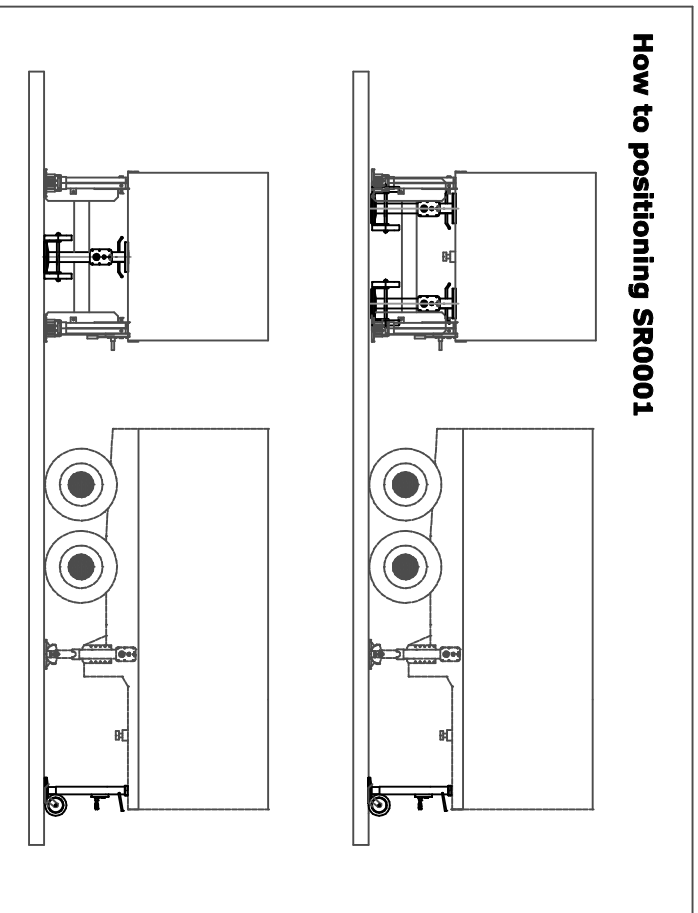
By turning the crank-handle put SR0001 on lower position and insert SR0001 as indicated on picture below.  
Pay attention of position of the king-pin.



**ATTENTION:** SR0001 is an additional support. The semitrailer must be parked by the landing legs and they must be in good condition.



**How to positioning SR0001**



**MAINTENANCE**

At the time of construction, the Ferrmi support SR0001 is greased and oiled enough. However, it is possible to make further greasing through the provided nipples. It is recommendable to do this operation every 6/8 months. For a better greasing of the spindle (through the greasing nipples situated on the sides of the support's body) lower completely the spindle and, while greasing it, lift it slowly up again.

It is advisable to use a grease with a EP 2-slougliness degree. Remember also to check periodically all the parts subject to wear, such as the nylon bushes, the gears and in particular the spindle and the female thread.

All this if the support SR0001 is used on normal working conditions. In case the support SR0001 is used in heavy conditions, these inspections have to be more frequent.

**HOW TO INSERT HIGH AND LOW GEAR**

The support SR0001 has 2 gears:

**LOW GEAR:** SR0001 can be lifted/lowered of 1mm per each turn of crank handle.

To engage the low gear you have to turn a little the crank handle (fig.2) and, at the same time, you have to push the crank handle (fig.1) just to the clutch.

**HIGH GEAR:** SR0001 can be lifted/lowered of 11 mm per each turn of crank handle.

To engage the high gear you have to turn a little the crank handle (fig.2) and, at the same time, you have to pull the crank handle (fig.1) just to the clutch.

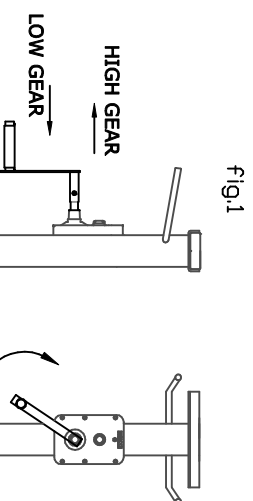
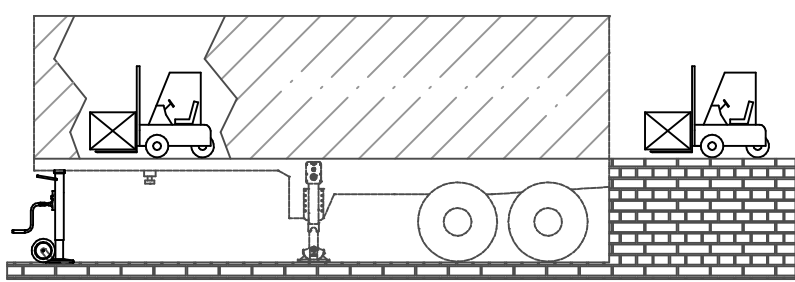


fig.1

fig.2

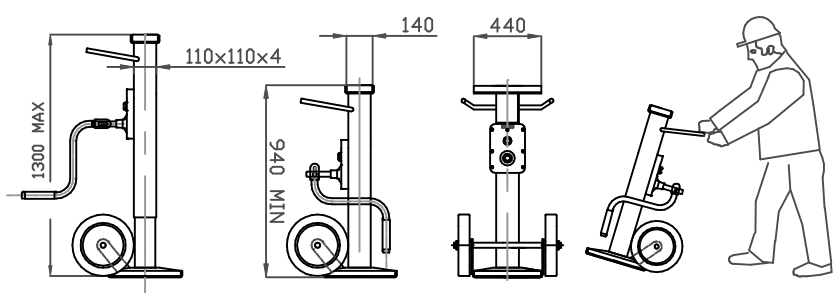
TECHNICAL DATA

STATIC LOAD	20 t
WEIGHT	57 kg
GEARS	nr. 2 speeds, fast clutch of low gear and high gear without middle position
CRANK FORCE OF HANDLE	
up to 12 t lifting capacity	16 kg
up to 16 t lifting capacity	22 kg
up to 20 t lifting capacity	28 kg
LIFT PER ONE TURN OF HANDLE	
low gear	1 mm turn handle
high gear	11 mm turn handle

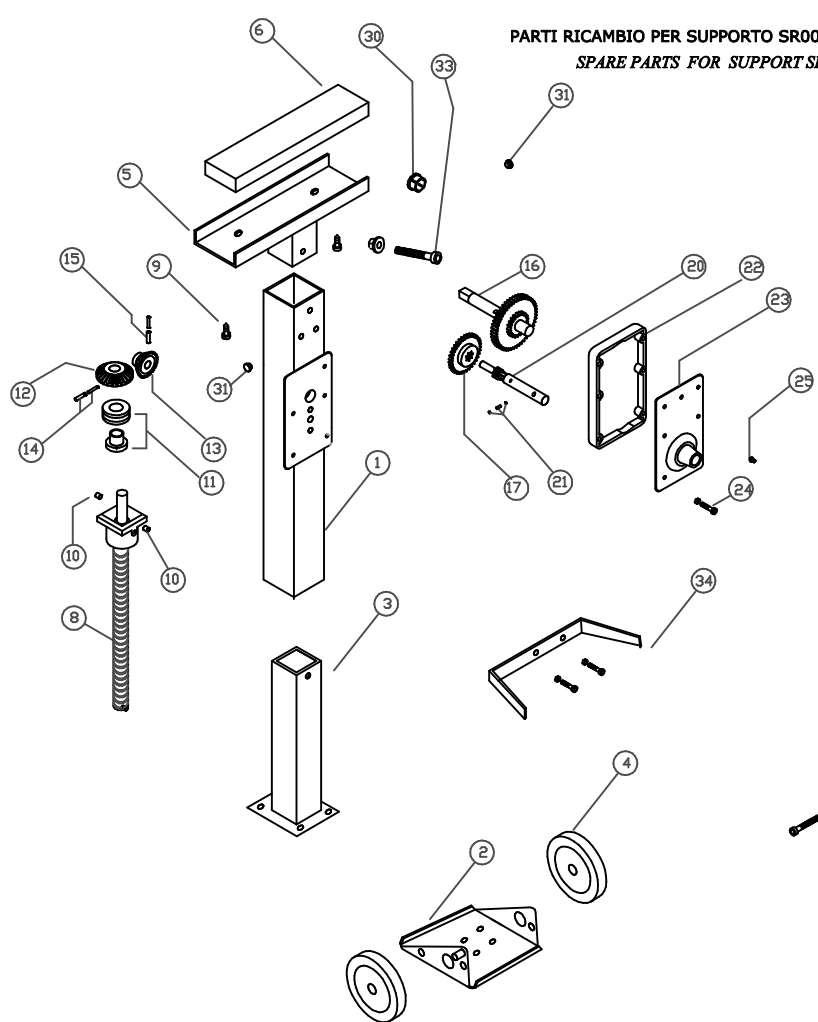


Designed to support the semitrailer when the tractor unit is not coupled during load and unload operation with fork-lift.

Easy to handle



PARTI RICAMBIO PER SUPPORTO SR0001  
SPARE PARTS FOR SUPPORT SR0001



PS	DENOMINAZIONE DESCRIPTION	CODICE PART.NO
1	CORPO ESTERNO HOUSING	HC3016
2	base	
3	GAMBO INTERNO MOBILE SUPPORTING TUBE	HC3018
4	RUOTA WHEEL	HC3019
5	COPERCHIO COVER	HC3020
6	SUPPORTO IN LEGNO WOOD-SUPPORT	HC3021
8	ASTA FILETTATA SPINDEL	HC3022
9	VITE x legno BOLT	HC3023
10	SPINA ACCIAIO STEEL PIN	HS0208
11	CUSCINETTO REGGISPINTA BALL BEARING	HS0196
12	INGR. CONICO GRANDE BEVEL GEAR	HS0194
13	INGR. CONICO PICCOLO PINION BEVEL	HS0195
14	SPINA ELASTICA ROLL PIN	HS0231
15	SPINA ELASTICA ROLL PIN	HS0213
16	RUOTA DENTATA GRANDE LARGE GEAR	HA0028
17	INGRANAGGIO GEAR	HA0048
20	ALBERO TRASMISSIONE GEAR DRIVE PINION	HA0029
21	MOLLA + SFERE PRES.SPRING + BEARINGS	HS0214
22	DISTANZIALE NYLON NYLON SPACER	HA0049
23	COPERCHIO RIDUTTORE GEAR BOX COVER	HA0054
24	BULLONE+DADO BOLT	HA0064
25	INGRASSATORE GREASE NIPPLE	HA0066
27	MANOVELLA CRANK HANDLE	HB0010
30	BOCCOLA NYLON NYLON BUSH	HS0181
31	TAPPO CHIUSURA CAP	HS0188
33	BULLONE COPERCHIO BOLT	HS0210
34	MANIGLIA	

**FERMI SRL**  
Via Postumia 33/a I-31100 Treviso  
Tel. +39(0)422-361033 Fax +39(0)422-361461  
www.fermitreviso.com info@fermitreviso.com