

STEEL DEVICES FOR TRAILERS AND SEMITRAILERS

TRAILERS

MODELS:

MANUAL COUPLING

VA0120 Standard device, equipped with its own lock and keys

VA0121 Device equipped with one-code cylinder lock, one key can open all locks.

AUTOMATIC COUPLING

VA0123 Standard device, equipped with its own lock and keys

VA0124 Device equipped with one-code cylinder lock, one key can open all locks.

SEMITRAILERS

MODELS:

FOR 2" KING PIN:

VA0108 Standard device, equipped with its own lock and keys

VA0109 Device equipped with one-code cylinder lock, one key can open all locks.

FOR 3,5" KING PIN:

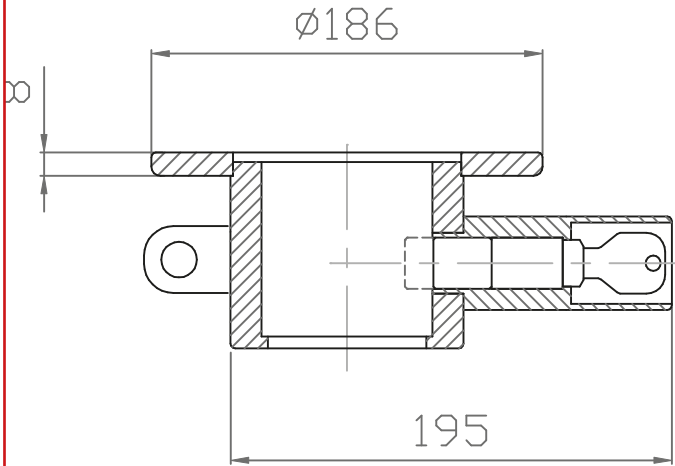
VA0111 Standard device, equipped with its own lock and keys

VA0112 Device equipped with one-code cylinder lock, one key can open all locks.

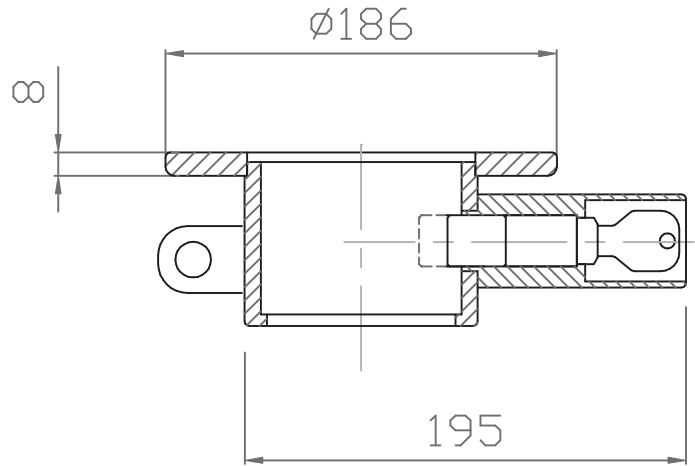
SIMPLE STRUCTURE, SAFE, LOW-WEIGHT AND EASY TO HANDLE

- The **structure** of these devices is completely made of **steel** and each production phase is carefully carried out to guarantee the maximum quality and functionality. Moreover an **excellent quality locking cylinder** of the best brands in the market protects the keys from pushes.
- Each device is supplied with a set of two keys which can be **duplicated only with personal code**. On customer's request supplementary keys can be supplied.
- **Suitable to all king pins**
- Easy and fast installation: fit the device on the king pin pressing the locking cylinder.
- To ensure a good working with the passing of time, it is necessary a periodic cleaning of the locking cylinder and of the key

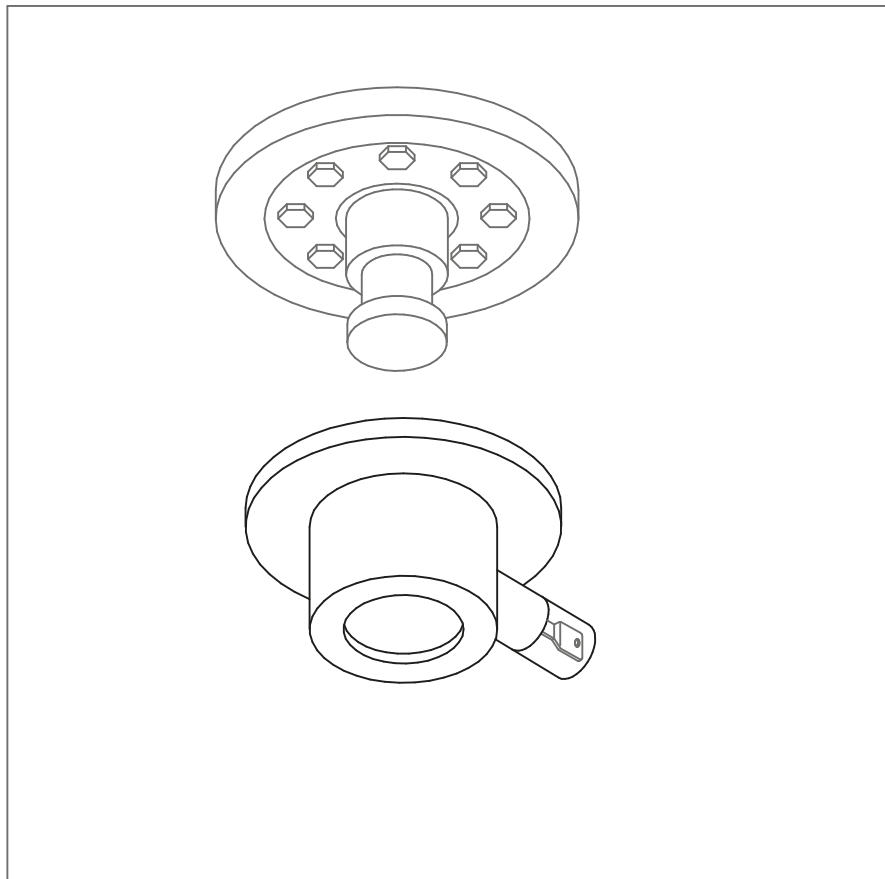
Lock for semi-trailer

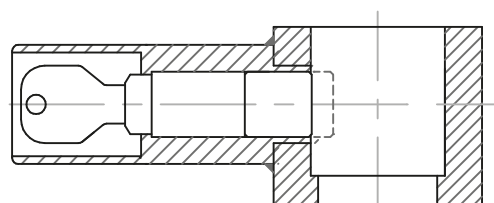
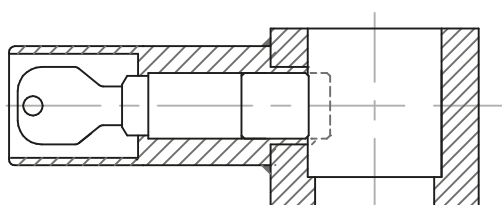
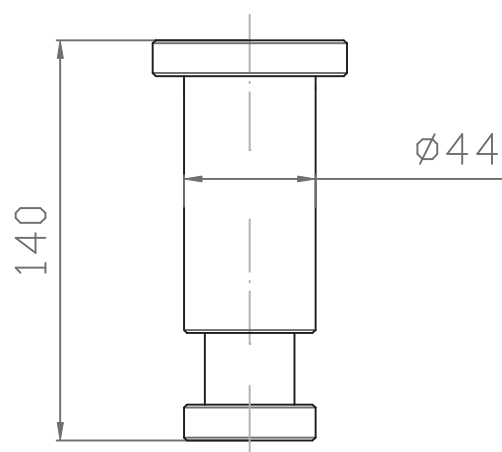
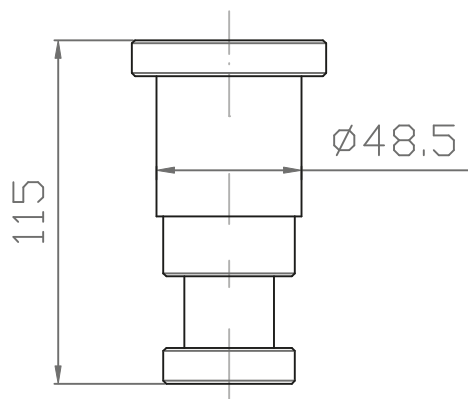


Lock
VA0108
King-pin 2"



Lock
VA0111
King-pin 3,5"





Lock for trailer
VA0123

Lock for trailer
VA0120

