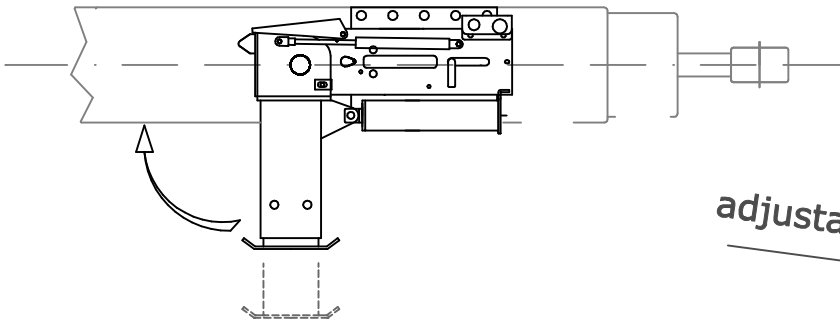
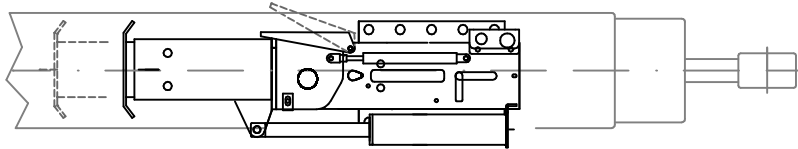


Pneumatic stabilizer LEG300

Automatic
Time for opening-closing: 1 sec.
Driven by 2 pneumatic-switches
Complies to declaration of conformity CE
Warranty: 2 years
Free installation of control switches
No maintenance
Easy to use and to install.
Static Load: Kg. 7000
Pressure: 6 bar



adjustable

