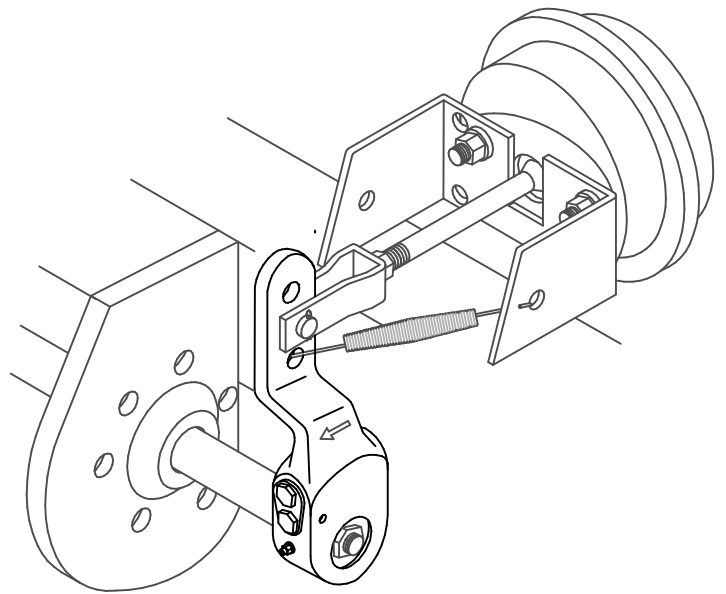
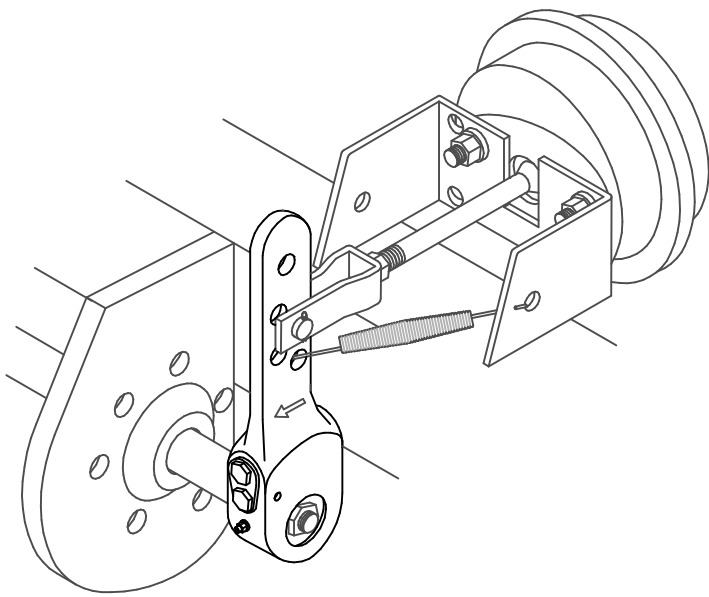


INSTRUCTIONS FOR MOUNTING MANUAL SLACK ADJUSTERS

When mounting the slack adjuster on the axle, it is very important to position it in such a way that the braking direction is the same of the arrow on the slack adjuster.



Senso frenatura
Braking direction
Direction freinage

